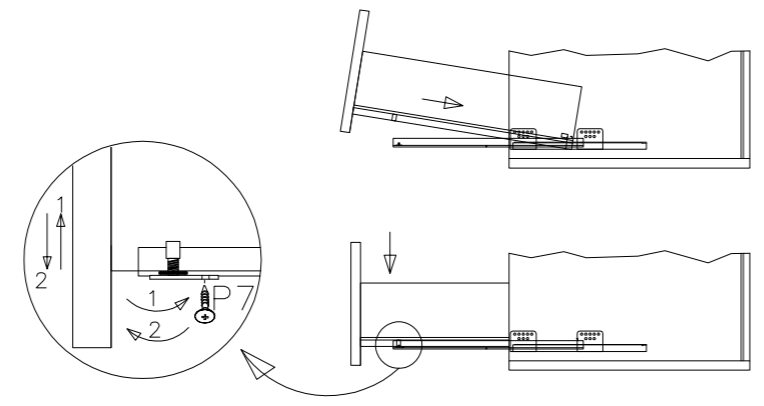
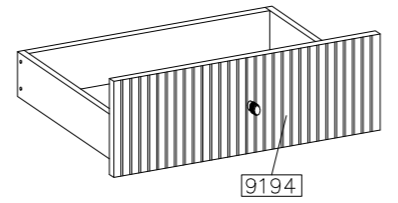
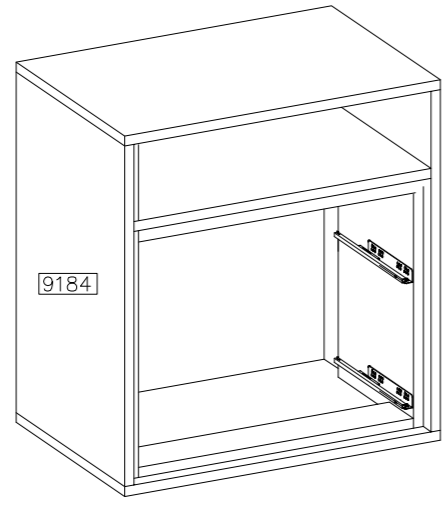
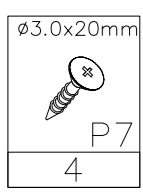
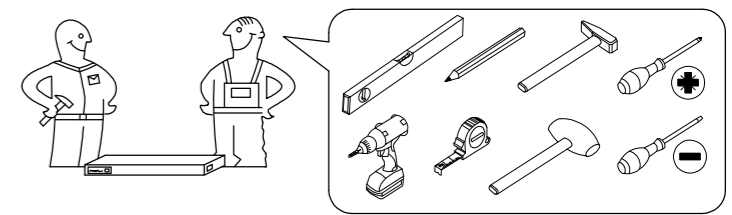


15

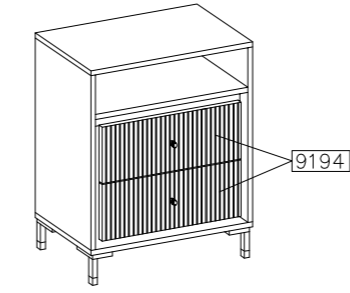


PARI

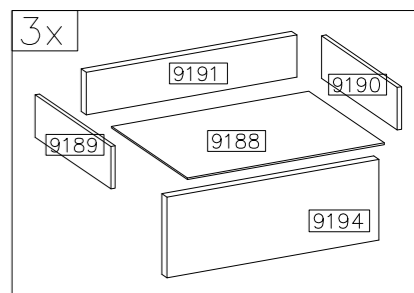
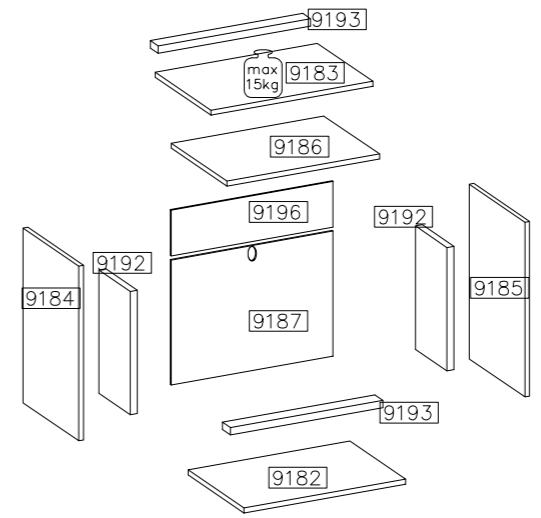
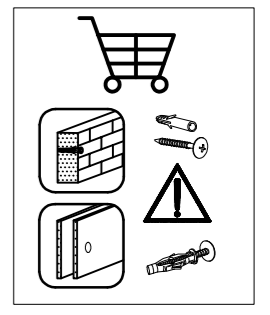
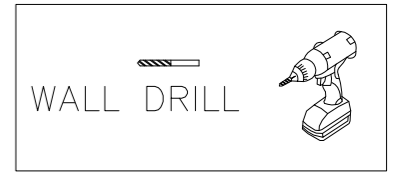
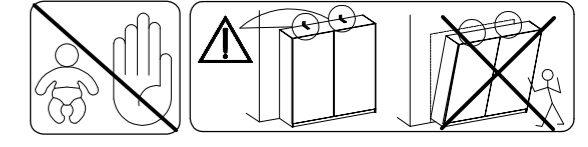
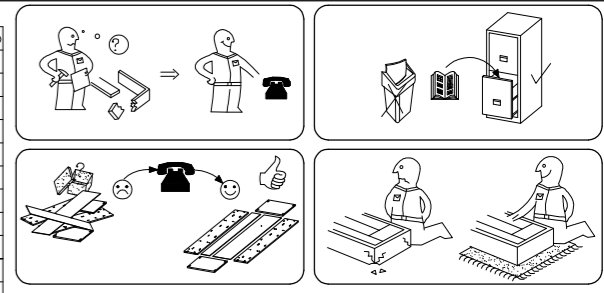
- 14



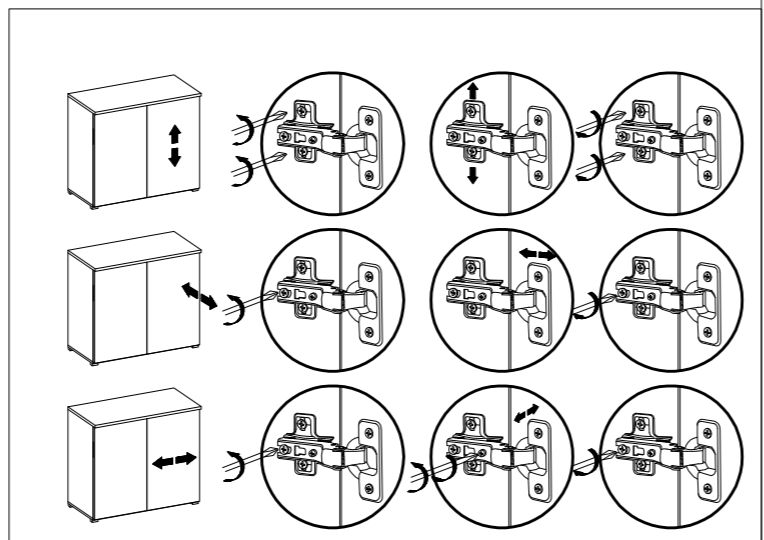
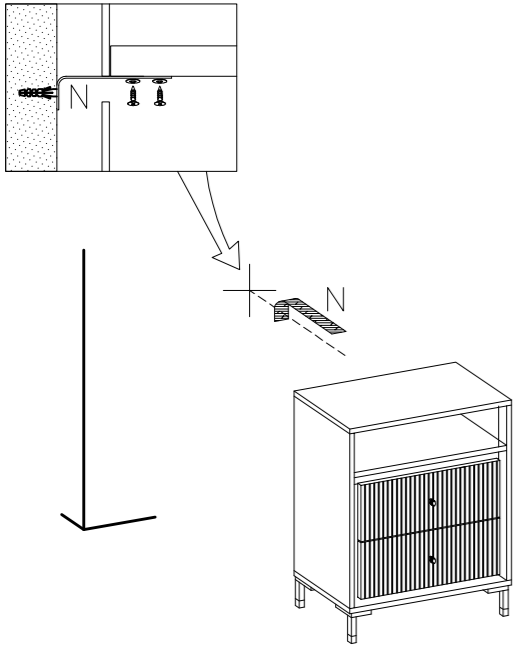
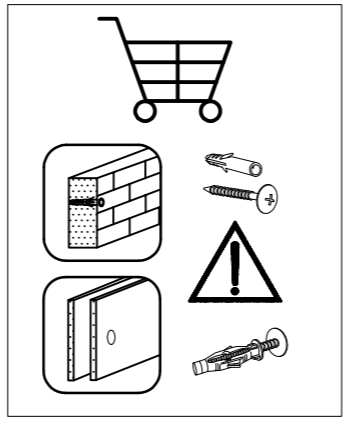
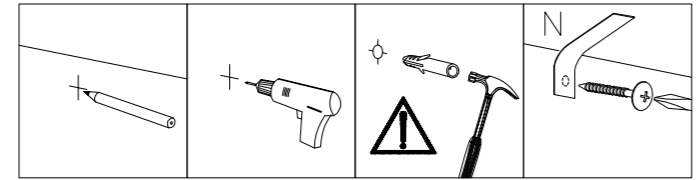
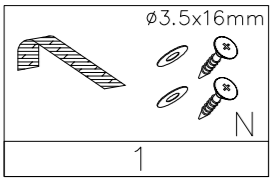
#	ART. NR	L	W	T	Q	Col.No
1	9182	500	370	16	1	1
2	9183	500	370	16	1	1
3	9184	528	370	16	1	1
4	9185	528	370	16	1	1
5	9186	467	350	16	1	1
6	9187	481	384	2,5	1	1
7	9196	481	155	2,5	1	1
8	9188	393	308	2,5	2	1
9	9189	300	120	16	2	1
10	9190	300	120	16	2	1
11	9191	378	103	16	2	1
12	9192	372	236	25	2	1
13	9193	417	80	25	2	1



13	9194...	428	164	16	2	2
XXXXC - CZARNY						
XXXXZ - ZIELONY						
XXXXA - ARTISAN						
XXXXR - RÓŻOWY						
XXXXC - SZARY-CONGO						





16



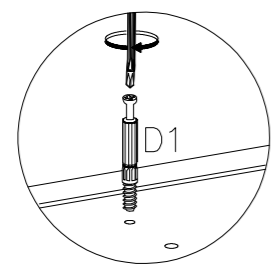
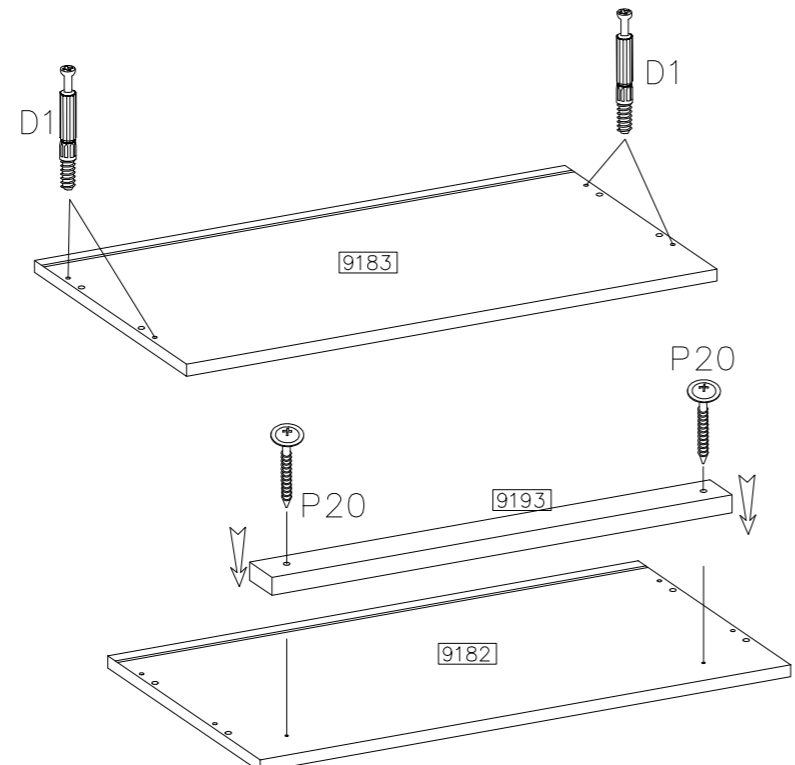
ø8x30mm A	ø8x20mm A7	6,4x50mm B	ø15/12mm C	ø3.5x16mm D1	ø3.5x16mm E	ø3.5x16mm E1	ø3.0x20mm P7
20	4	12	12	12	12	12	4
ø4.0x35mm O	M4.0x20mm P9	ø3.5x16mm N	ø3.5x16mm L	ø3.0x16mm F4	4.0x25mm P12	4.0x25mm F8	
1	8	1	6	4	16	4	
ø4.0x35mm P20	M4.0x20mm R13	ø3.0x16mm S1	ø3.0x16mm PR1	ø3.0x16mm P1			
8	2	2	2SET	14			



1

	
4	2

ø4.0x35mm






ARTISAN

BLACK

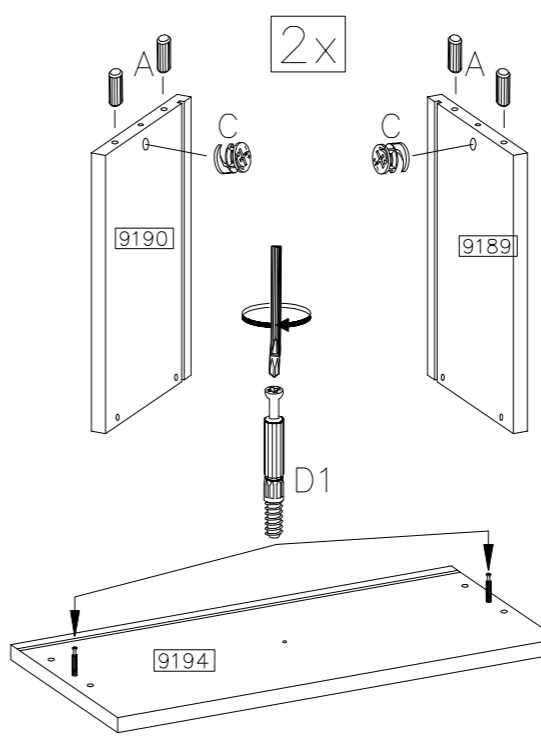
OPTION
COLOUR BLACK v COLOUR ARTISAN

10


	
8	4

ø8x30mm

ø15/12mm





2x

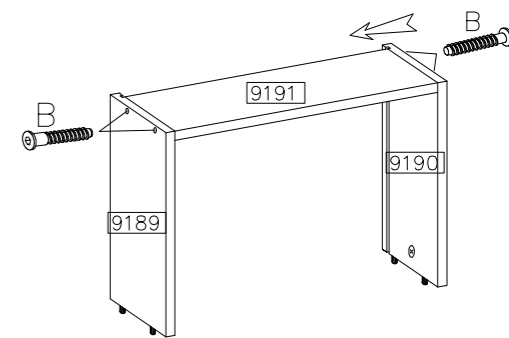

4

4


11

	
8	8

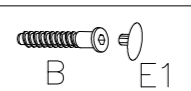
6,4x50mm





2x


0

0





2

	
4	8

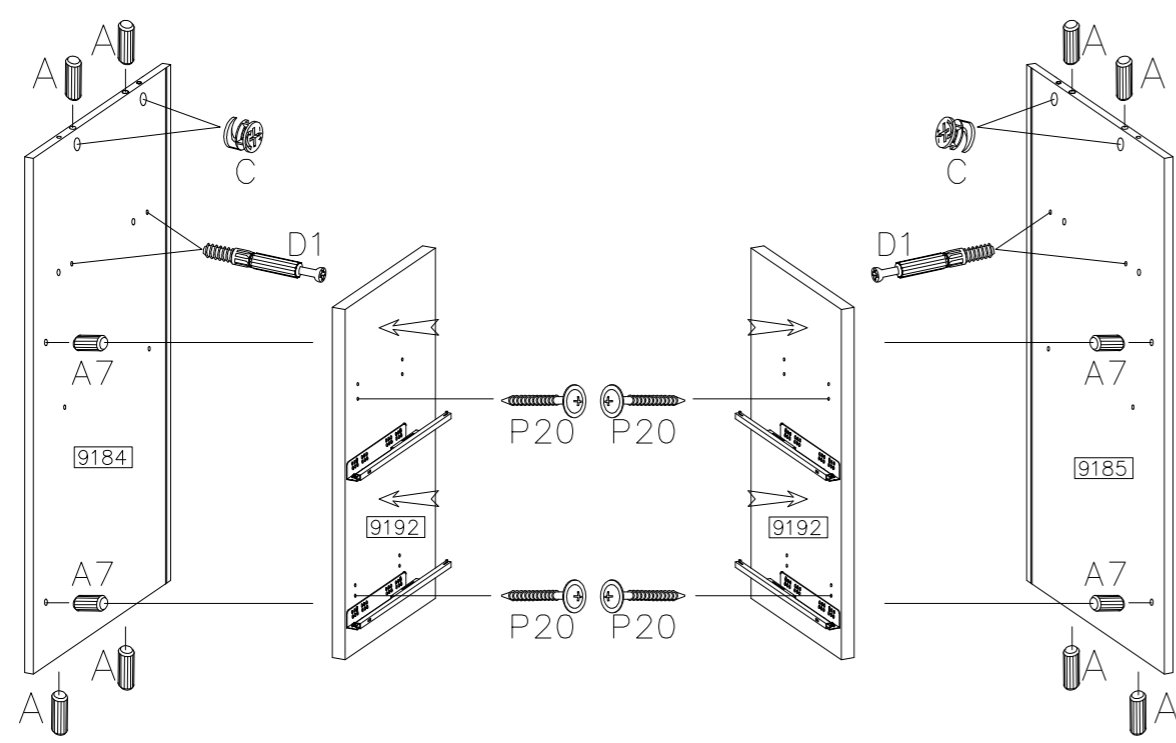
ø15/12mm

ø8x30mm

	
4	4


ø4.0x35mm

ø8x20mm

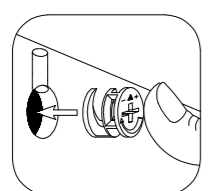
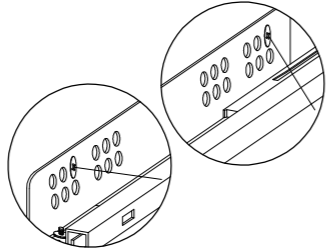
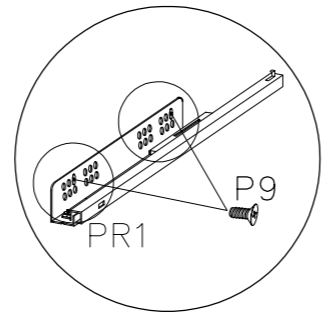
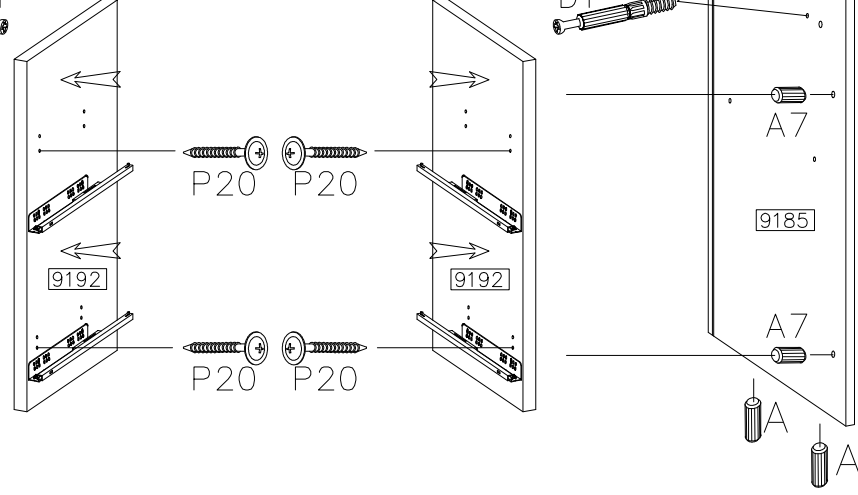
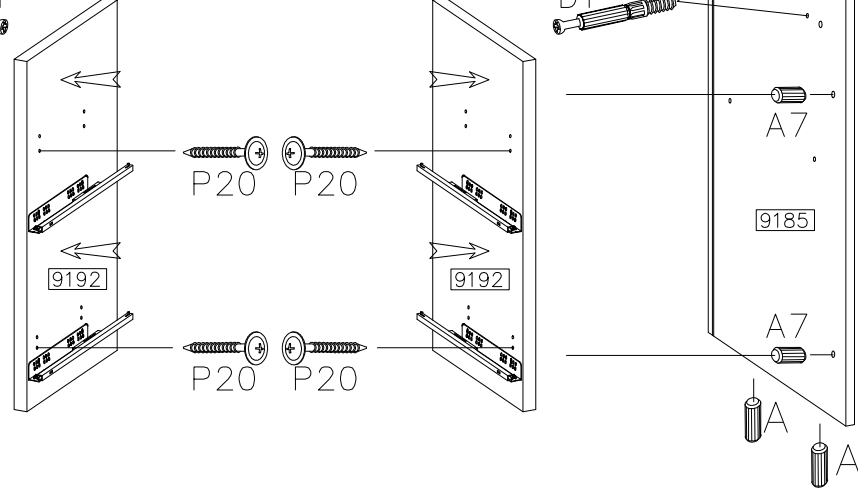
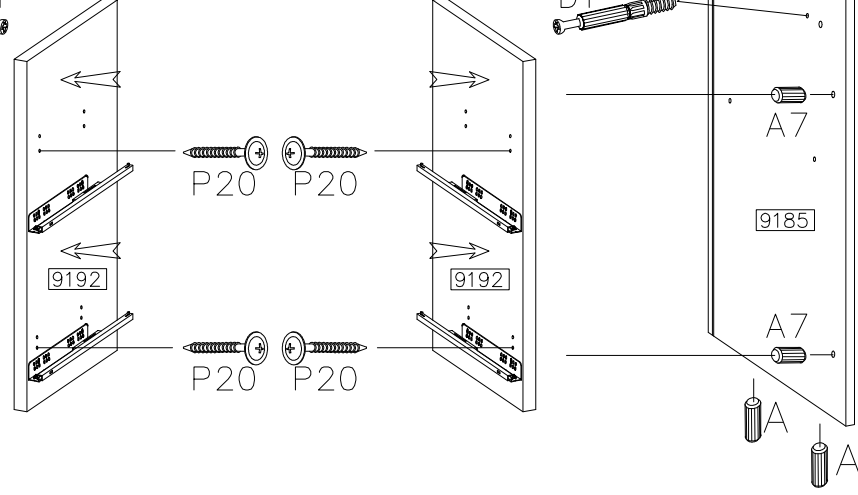


PR1

2SET

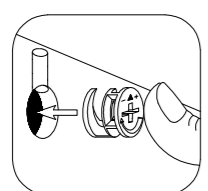
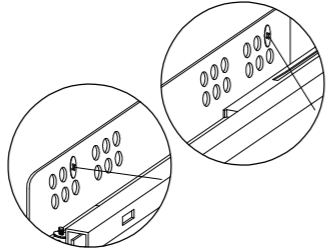
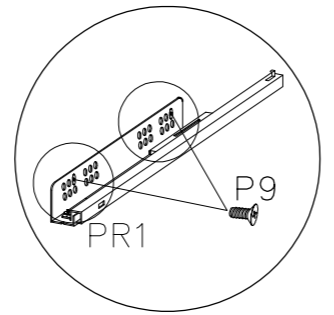

8

ø5.0x13mm


PR1

P9

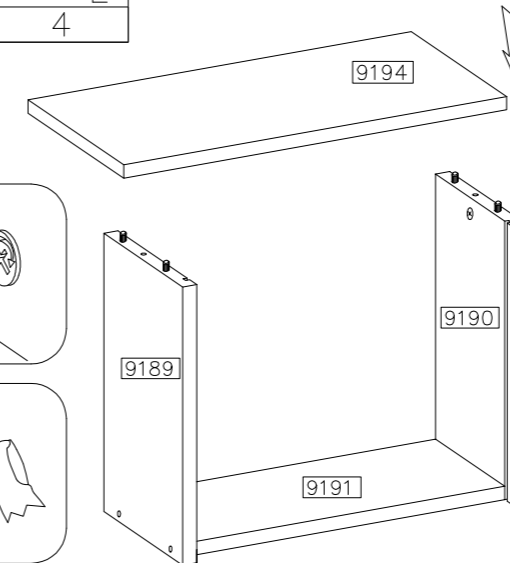
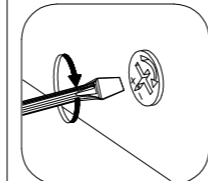
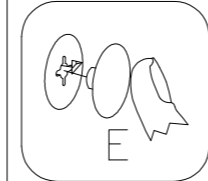




OPTION
COLOUR BLACK v COLOUR ARTISAN

12

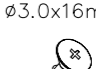

4

2x

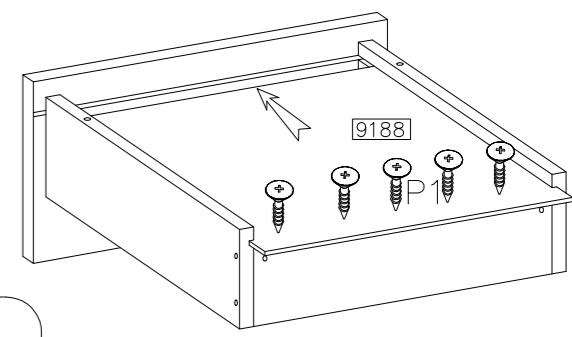

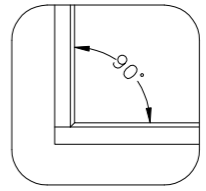
E

13


10



ø3.0x16mm

2x

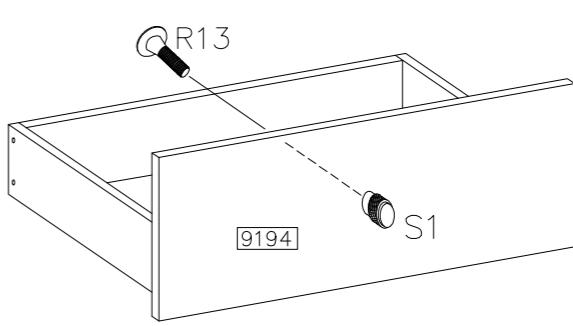




90°

14

	
2	2

M4.0x20mm



2x

R13

S1